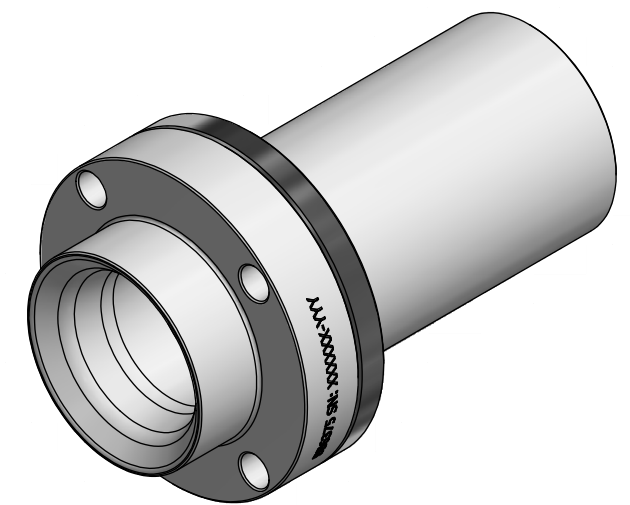


NOTE: 1
 DESIGN CODE:
 API 17H Type 1

NOTE: 2
 TECHNICAL CLASSIFICATION:
 Article Type: 001-Hot Stabs
 Main Group: 1.03. Ø43 Hot Stab
 Intermediate Group: 1.2.02. Receptacle
 Sub Group: 1.2.6.02. Dual

NOTE: 3
 INTERFACE INFORMATION:
 Pressure Rating Bar: 10
 Design Water Depth:
 Material: PEHD 1000
 Weight in Air: 0,7 kg
 Volume: 0,4 dm³
 Submerged Weight: 0,26 kg
 Surface Area: 831 cm²
 Hydraulic: NA
 Mechanical: 4xM10@PCD 86
 Electrical: N/A
 Com. & Protocol: N/A



Rev.	Date	Reason for issue	Revision change	Made	Chk'd	Appr.
01	7.4.2025	9-IFU (Issued for Use)		HNJ	LGH	HNJ

BLUE LOGIC

This Drawing is the Property of Blue Logic AS © and must Not be Loaned, Reproduced or Transferred to others without written Permission

Dwg Scale:	NTS
Dwg Proj:	
Dwg Format:	A3

Drawing title:	Ø43 DP Park Rec 10bar Long-term Assy	
Drawing number:	BB6376	Rev. 01